

0 601 375 0V0

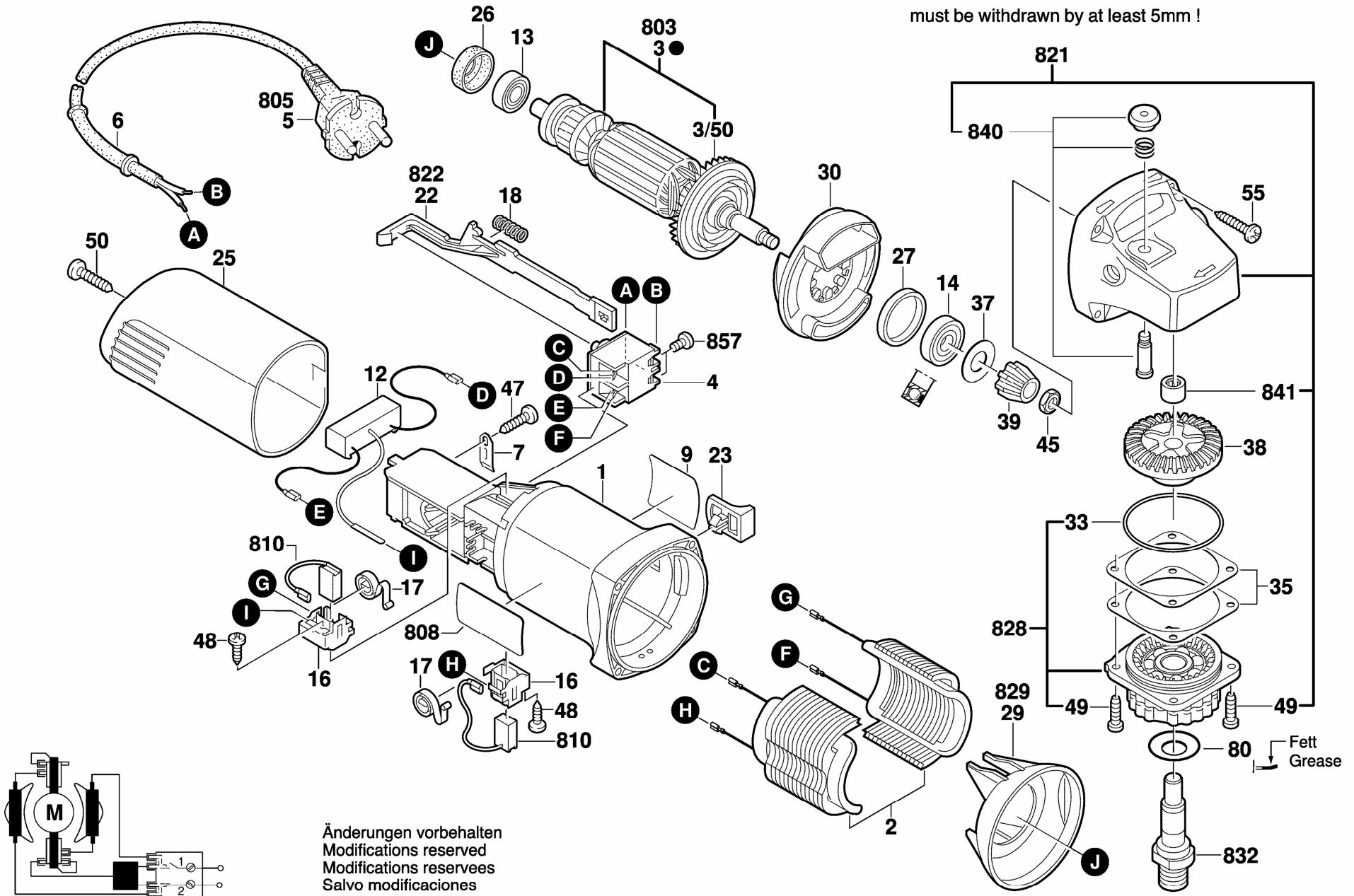
Stand } ~~09-10-26~~
Issue } 11-10-28

Fig. /Abb. 1

Gerad - Verzahnung

● Vor Demontage des Ankers
Kohlebürsten 5mm zurückziehen !

Before the armature is removed the carbon brushes must be withdrawn by at least 5mm !



Änderungen vorbehalten
Modifications reserved
Modifications reserves
Salvo modificaciones

Fett
Grease