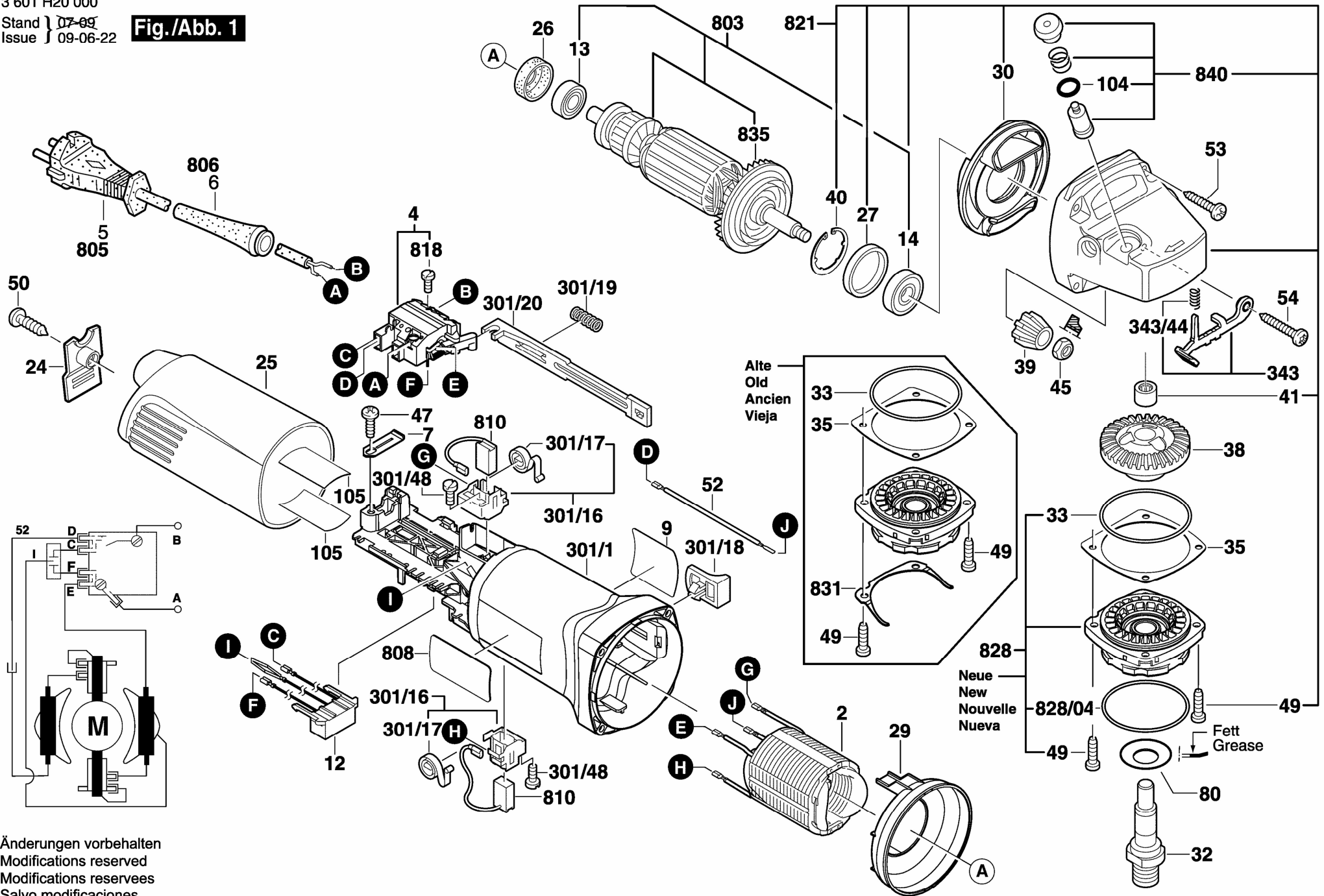


3 601 H20 000

Stand | 07-09
Issue | 09-06-22

Fig./Abb. 1



Änderungen vorbehalten
Modifications reserved
Modifications reserves
Salvo modificaciones