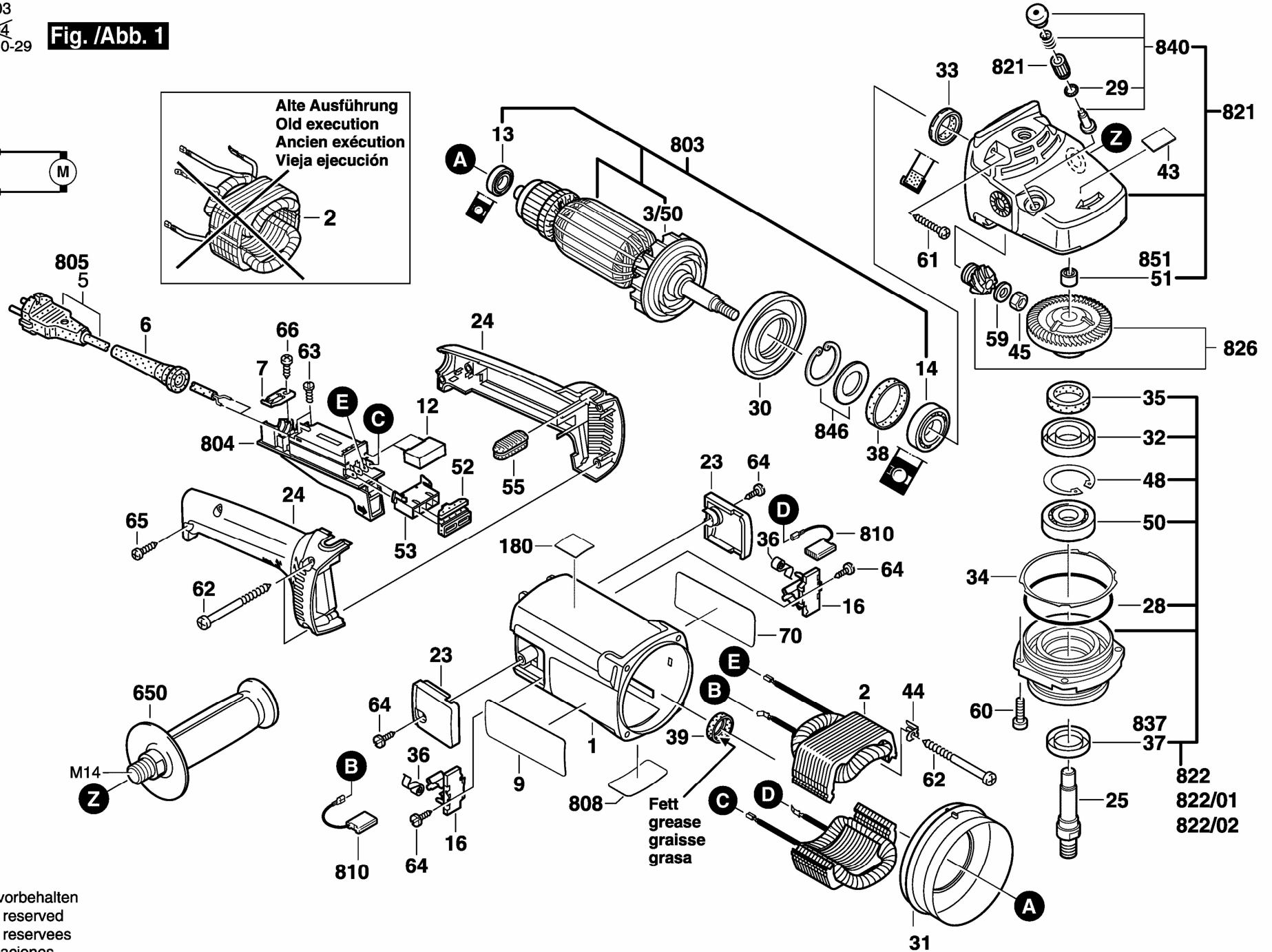
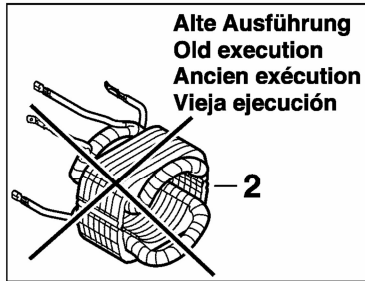
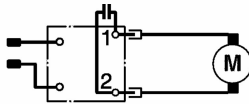


0 601 353 003

Stand } 02-04

Issue } 14-10-29

Fig./Abb. 1



Änderungen vorbehalten
Modifications reserved
Modifications reserves
Salvo modificaciones

822
822/01
822/02