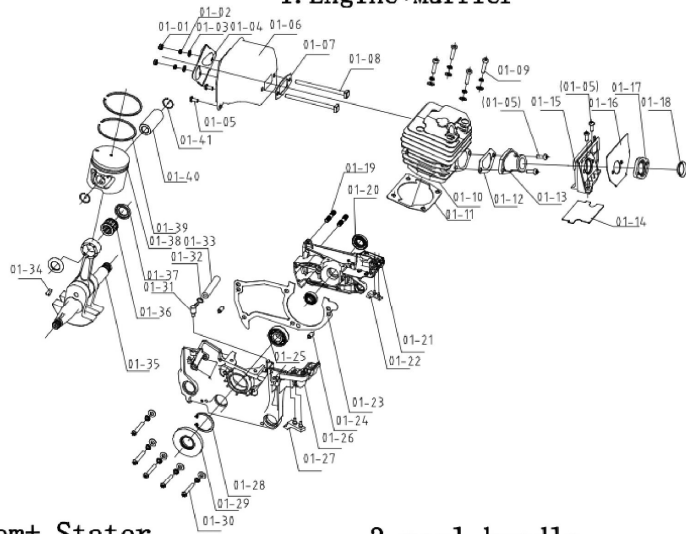


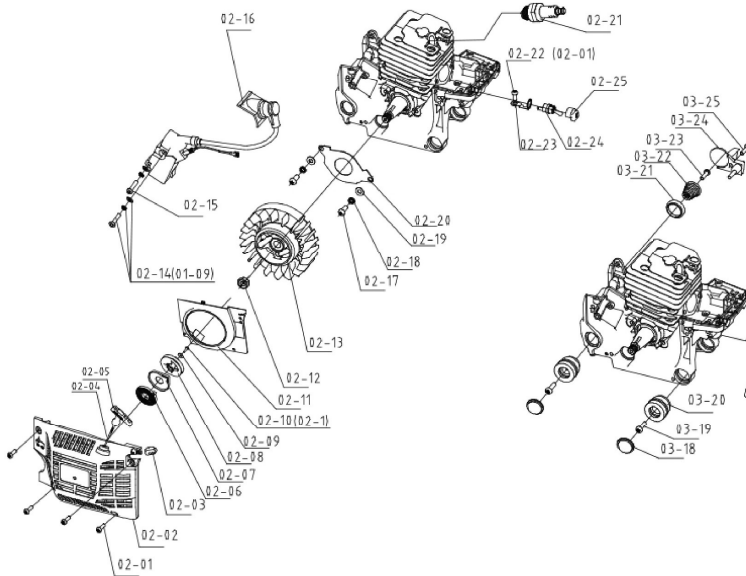
# GRAPHITE

## 58G952

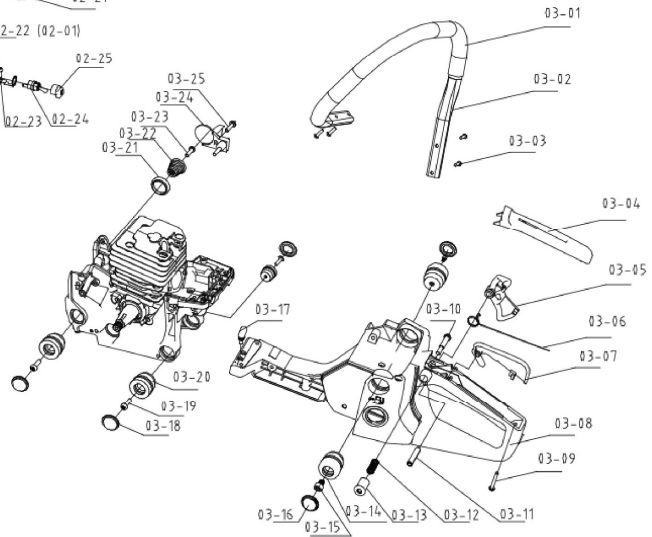
### 1. Engine+Muffler



### 2. Ignition system+ Stator

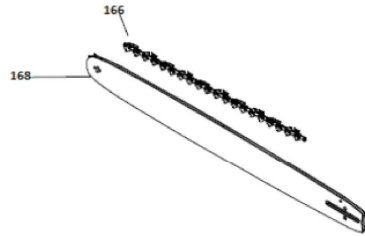


### 3. real handle

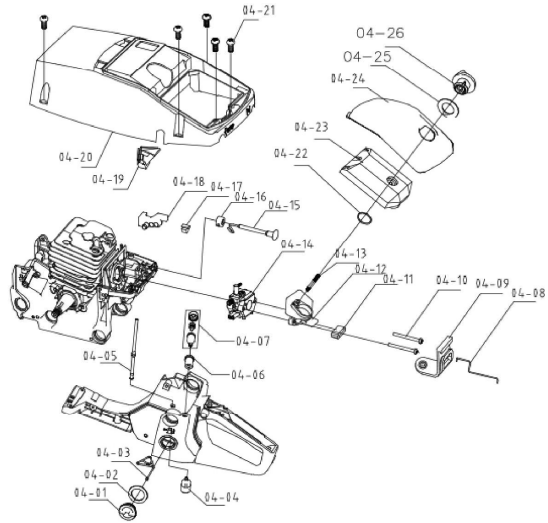


# GRAPHITE

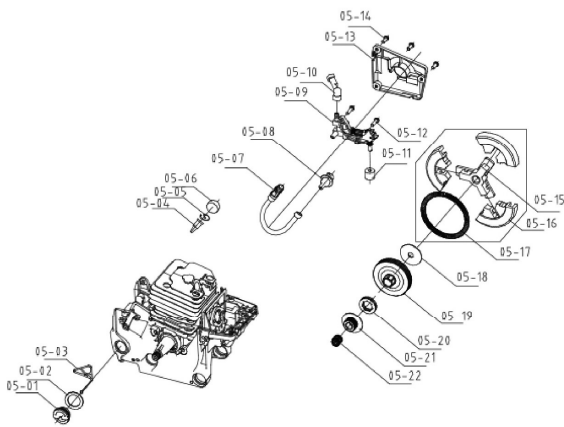
## 58G952



### 4. Air filter +Carburetor+Cylinder cover



### 5. Oil pump+ Clutch



### 6. Brake system

